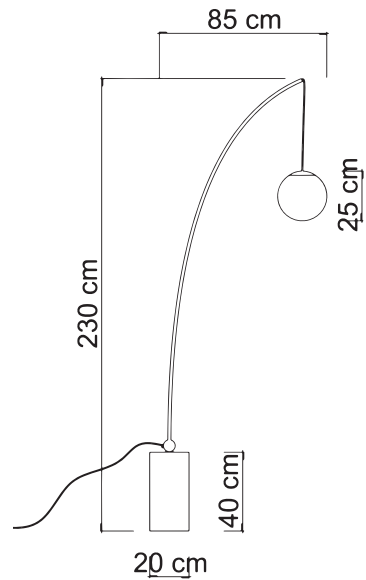
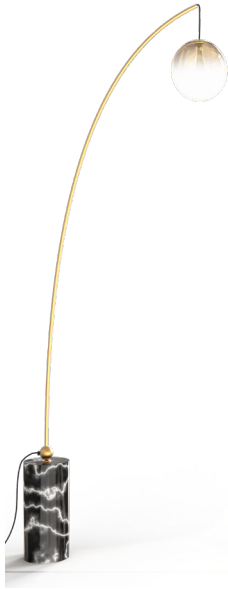


# EVA/P

standing lamp



The collection of spherical lamps, Eva, offers an elegant variety of finishes, including petroleum, bronze, smoke, and amber, all fading into a delicate milky white.

This range of colors creates a sophisticated and refined atmosphere, allowing you to personalize and illuminate any space with style.

|            |                         |
|------------|-------------------------|
| 8613       | EVA/P                   |
| Power      | 1 x max 26W             |
| Input      | 220/240 V - 50/60Hz     |
| Lampholder | E27 - Bulb not included |
| IP         | 20                      |

Item do not completed of glass, check at pag. 44 of catalogue

#### PACKAGING DATA :

|              |                       |
|--------------|-----------------------|
| Packages     | 1                     |
| Net Weight   | 6,4kg                 |
| Gross Weight | 8,8kg                 |
| Volume       | 0,0181 m <sup>3</sup> |

Any interventions on the light source of this article must be carried out by qualified personnel or by the manufacturer himself.  
Any operation carried out without prior consultation with Contemporanea srl will void the guarantee

**CE [EAC] RoHS**

#### MATERIAL :

|          |       |
|----------|-------|
| Frame    | Metal |
| Diffuser | Glass |

#### FINISHING TABLE :

|       |   |
|-------|---|
| Frame |  Brushed Brass |
|       |  Marble effect |